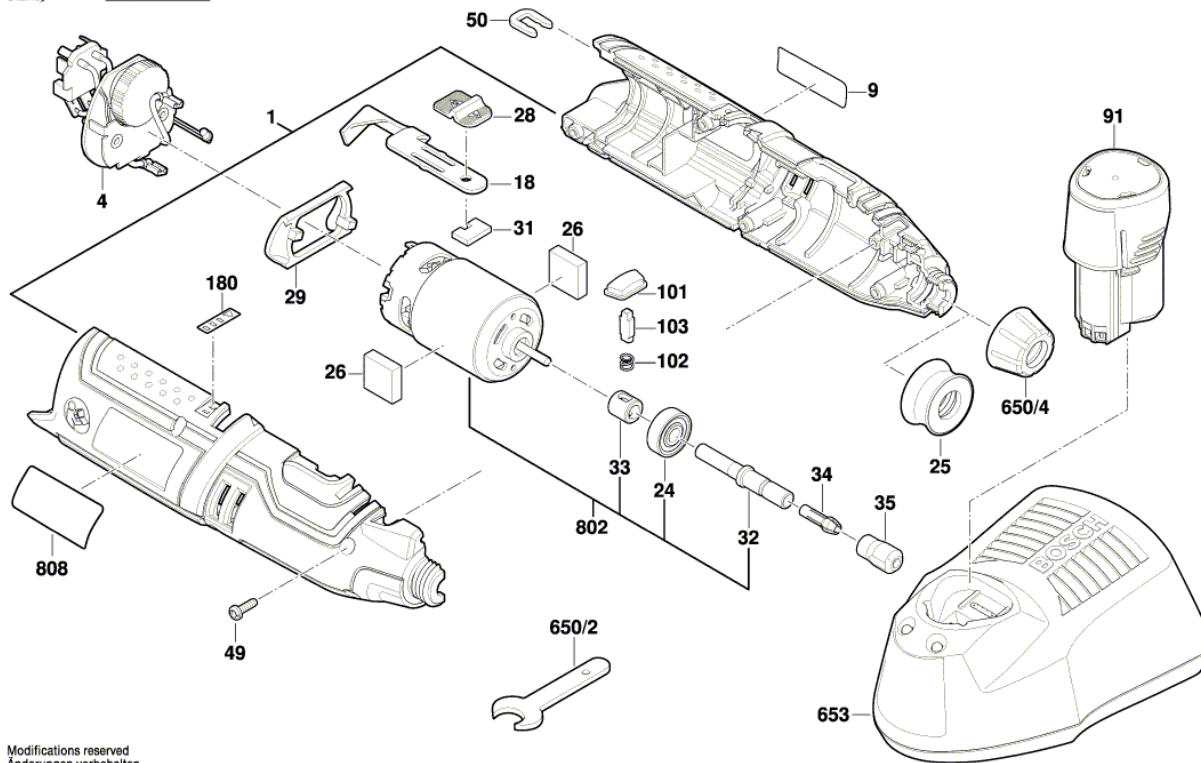


Illustration - Type - E

3 601 J C5 000
Issue | 13-09-12
Stand | **Fig./Abb. 1**



Modifications reserved
Änderungen vorbehalten
Modifications réservées
Salvo modificaciones

Spare parts list

Item	Part Number	Description	Illustration
1	1 619 P10 420	Motor Housing	1
4	1 619 P10 421	Electronics Module	1
9	1 619 P14 289	Manufacturer's nameplate GRO 12V-35	1
18	1 619 P10 424	Switch Slide	1
24	1 619 P10 427	groove ball bearing	1
25	1 619 P10 426	Front Cap	1
26	1 619 P10 907	Sponge	1
28	1 619 P10 425	Switch Button	1
29	1 619 P10 428	Air-Deflector Ring	1
31	1 619 P11 488	Sponge	1
32	1 619 P10 430	Grinding Spindle	1
33	1 619 P10 431	Locking Ring	1
34	2 615 110 480	contour sleeve 1/8"	1
35	2 610 014 582	Nut	1
49	1 619 P00 220	Torx Oval-Head Screw 3x10	1
50	1 619 P08 646	Clip	1
91	1 607 A35 049	Battery Pack 12V, 2,5Ah, LI GBA	1
91	1 607 A35 0C5	Battery Pack GBA 12V 2.0Ah Li SCM	1
101	1 619 P10 432	Push-Button	1
102	1 619 P10 433	Compression Spring	1
103	1 619 P10 429	Slotted Pin	1
180	1 619 P10 386	Sticker	1
650/2	2 610 930 692	Chuck Wrench	1
650/4	1 619 P11 344	Front Cap	1
653	2 607 226 101	Fast Charger EU GAL 1230 CV 230/12V	1
653	2 607 226 105	Fast Charger GB GAL 1230 CV 230/12V	1
802	1 619 P11 459	DC motor	1
808	1 619 P14 310	Nameplate	1